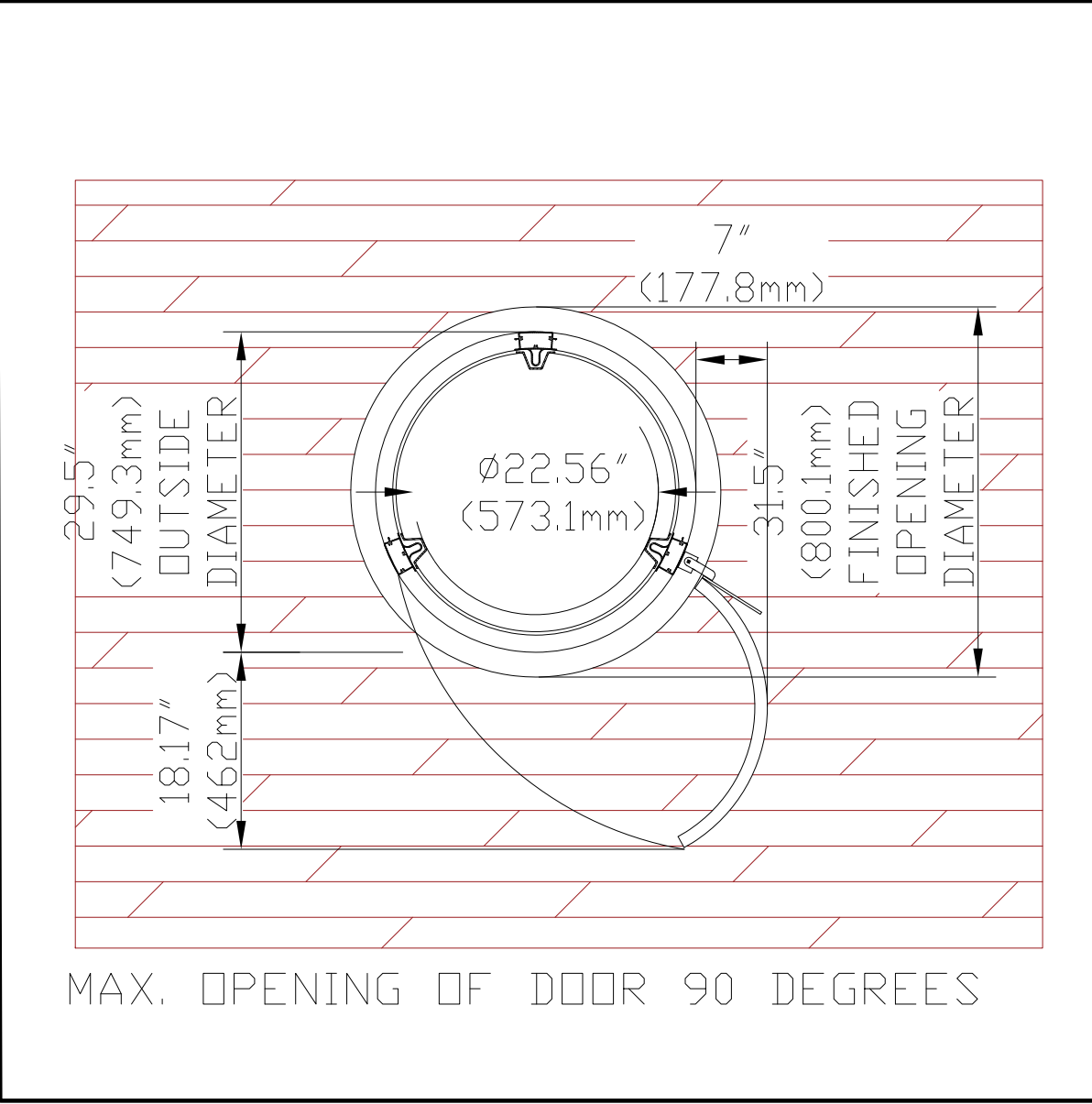
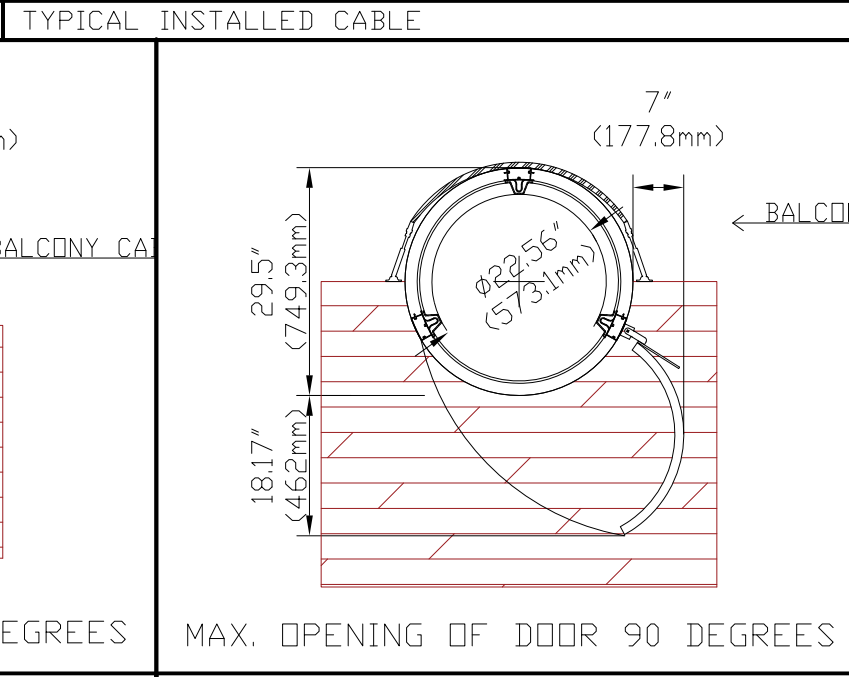
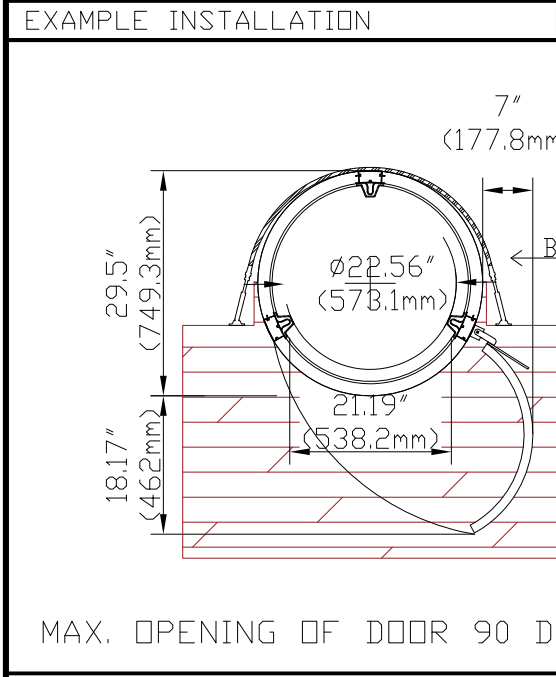
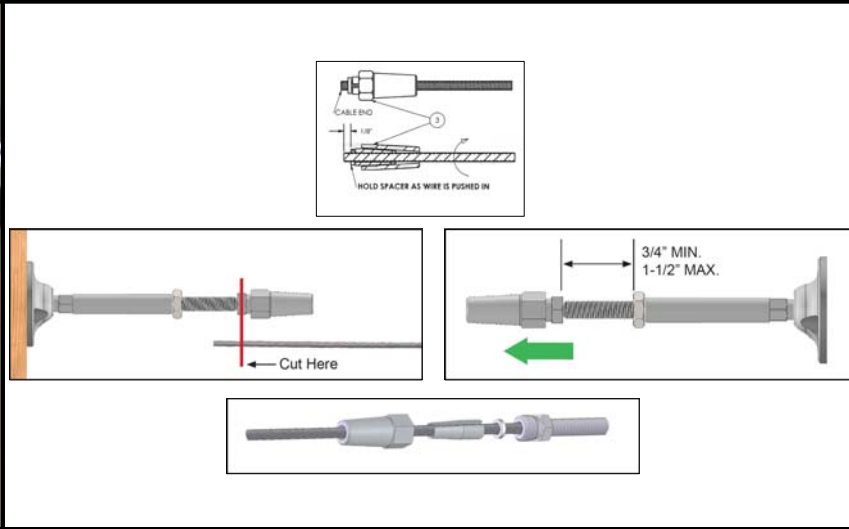


NOTES



REVISION AND PRINT RECORD

REV. BY	DESCRIPTION	DATE	FOR
R.L	INITIAL LAYOUT	12/18/19	MARKET

TOLERANCES UNLESS OTHERWISE SPECIFIED

1" (1.00)	25.4 MM OR LESS	±1/32 (0.031)	0.793 MM
OVER 1" (1.00)	25.4 MM LESS THAN 12" (12.00)	±1/16" (0.0625)	1.59 MM
OVER 12" (12.00)	304.80 MM LESS THAN 60" (60.00)	±1/8" (1.25)	3.18 MM
OVER 60" (60.00)	1524 MM TO 120' (120.00)	±1/4" (25.0)	6.35 MM

PNEUMATIC VACUUM ELEVATORS LLC

12602 NW 115th AVE. MEDLEY, FL. 33187
(305) 884-1091 Fax (305) 884-1092

ELEVATOR

JOB NAME: BALCONY EXAMPLES

LOCATION: 12602 NW 115th AVE. MEDLEY, FL. 33187

SCALE: NTS

DRAWN BY: RYDER LLOYD	FINALS: 12/18/2019
CHECKED BY: J.C.	RELEASED BY:
CUSTOMER#: XX	P.ORDER #: XX